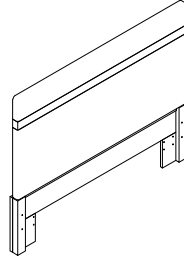


Warning :

- Be sure to check all packing material carefully for small parts, which may have come loose inside the carton during shipment.
- To prevent possible scratches and damage, this furniture **MUST BE ASSEMBLED BY TWO PEOPLE** on a soft surface such as a blanket or carpet.

Hardware and Parts packed with the Headboard

Uph Headboard - 50584

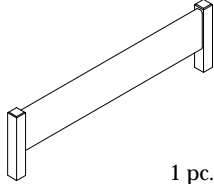


(H-A)

1 pc.

Hardware and Parts packed with the Footboard

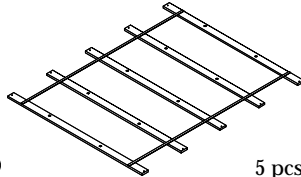
Uph Footboard - 50585



(F-A)

1 pc.

Slats (77" long)



(F-B)

5 pcs.

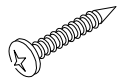
Support leg
(7-7/8" x 1-1/4" x 1-1/4")



(F-C)

10 pcs.

Wood Screw
Ø4 x 30 (mm)

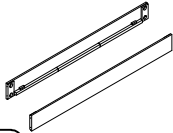


(F-D)

10 pcs.

Hardware and Parts packed with the Bed Rails

50572 - Bed Rails



(R-A)

2 pcs.

Ø5/16" Curved Washer



(R-B)

8 pcs.

Ø5/16" x 17mm Nut



(R-C)

16 pcs.

Ø5/16" - 18 x 3- 1/8" Long Bolt



(R-D)

16 pcs.

12 mm Open Wrench



(R-E)

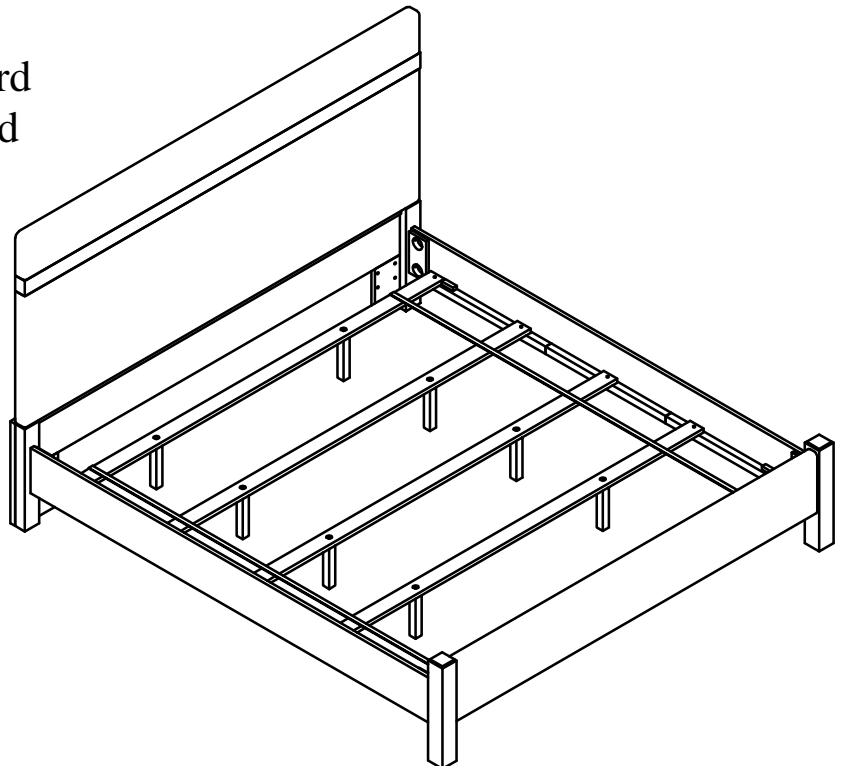
1 pc.

6/0-6/6 King Uph Bed

50584 -- 6/6 Uph Headboard

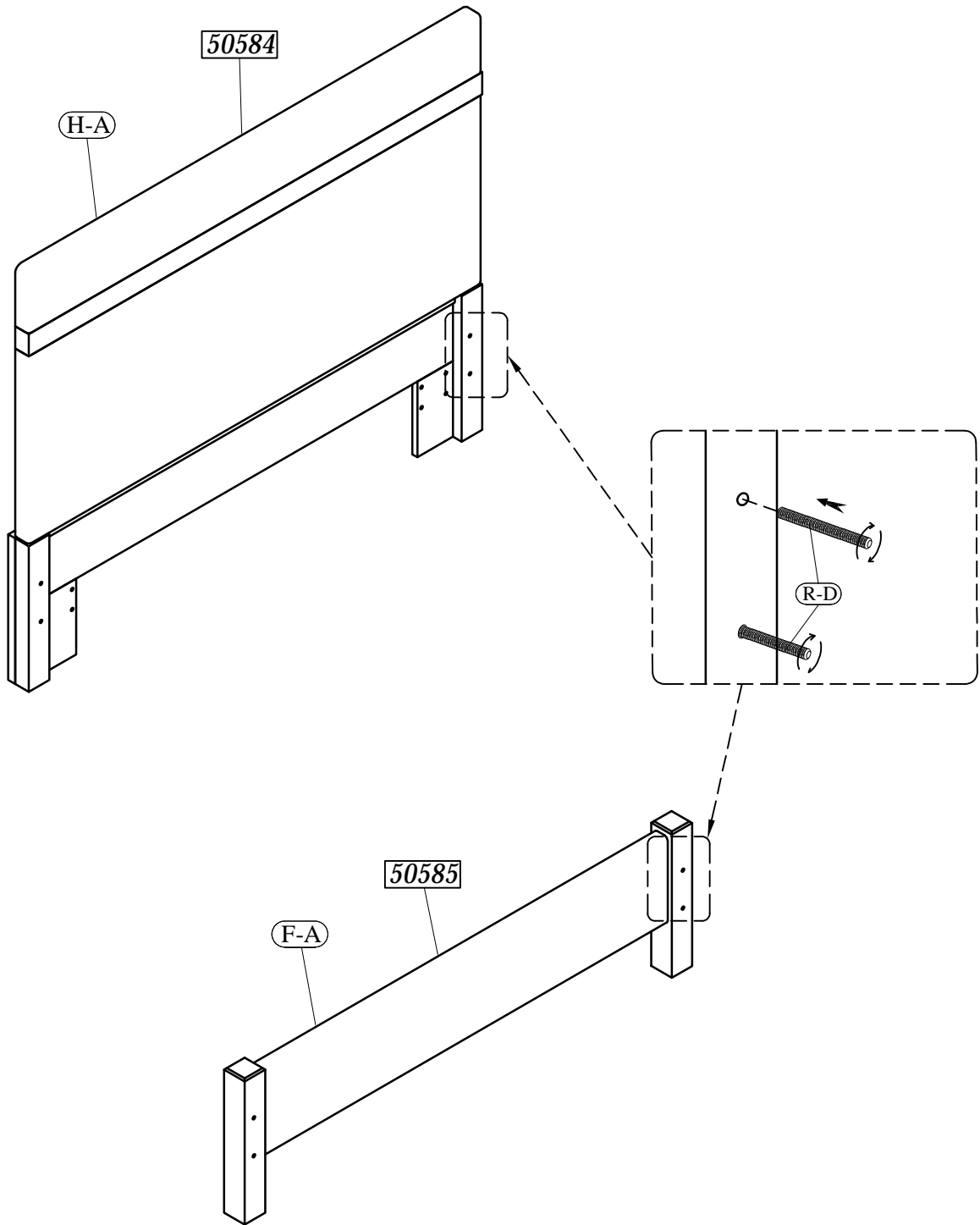
50585 -- 6/6 Uph Footboard

50572 -- 5/0-6/6 Side Rails



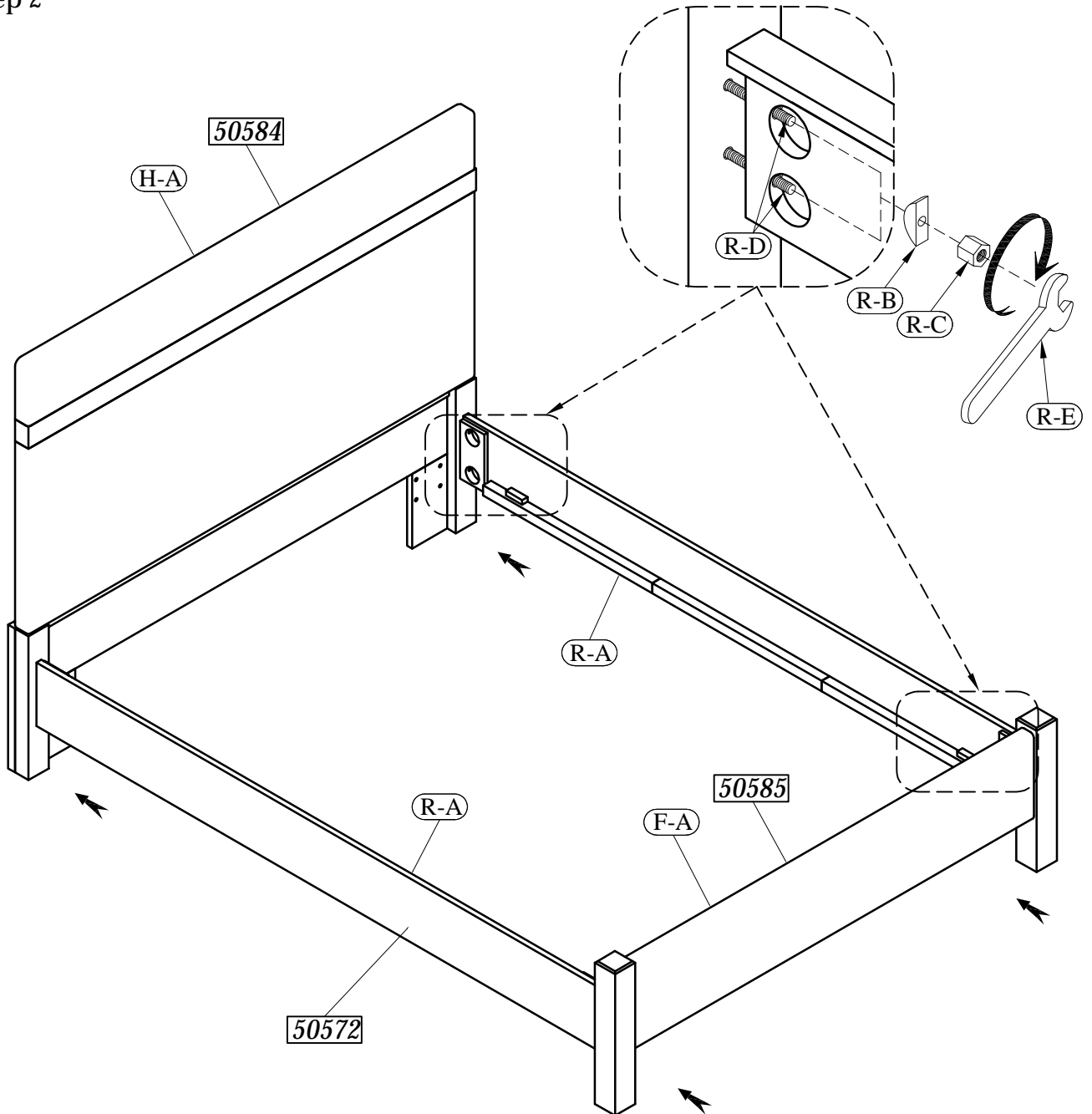
50584 -- 6/6 Uph Headboard
50585 -- 6/6 Uph Footboard

Step 1

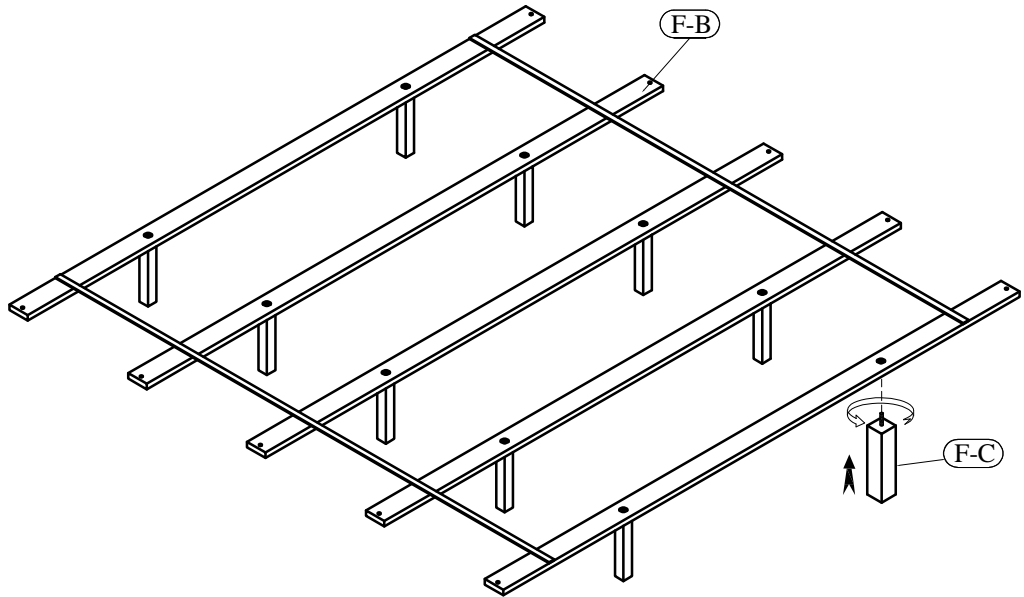


- 50584 -- 6/6 Uph Headboard
- 50585 -- 6/6 Uph Footboard
- 50572 -- 5/0-6/6 Side Rails

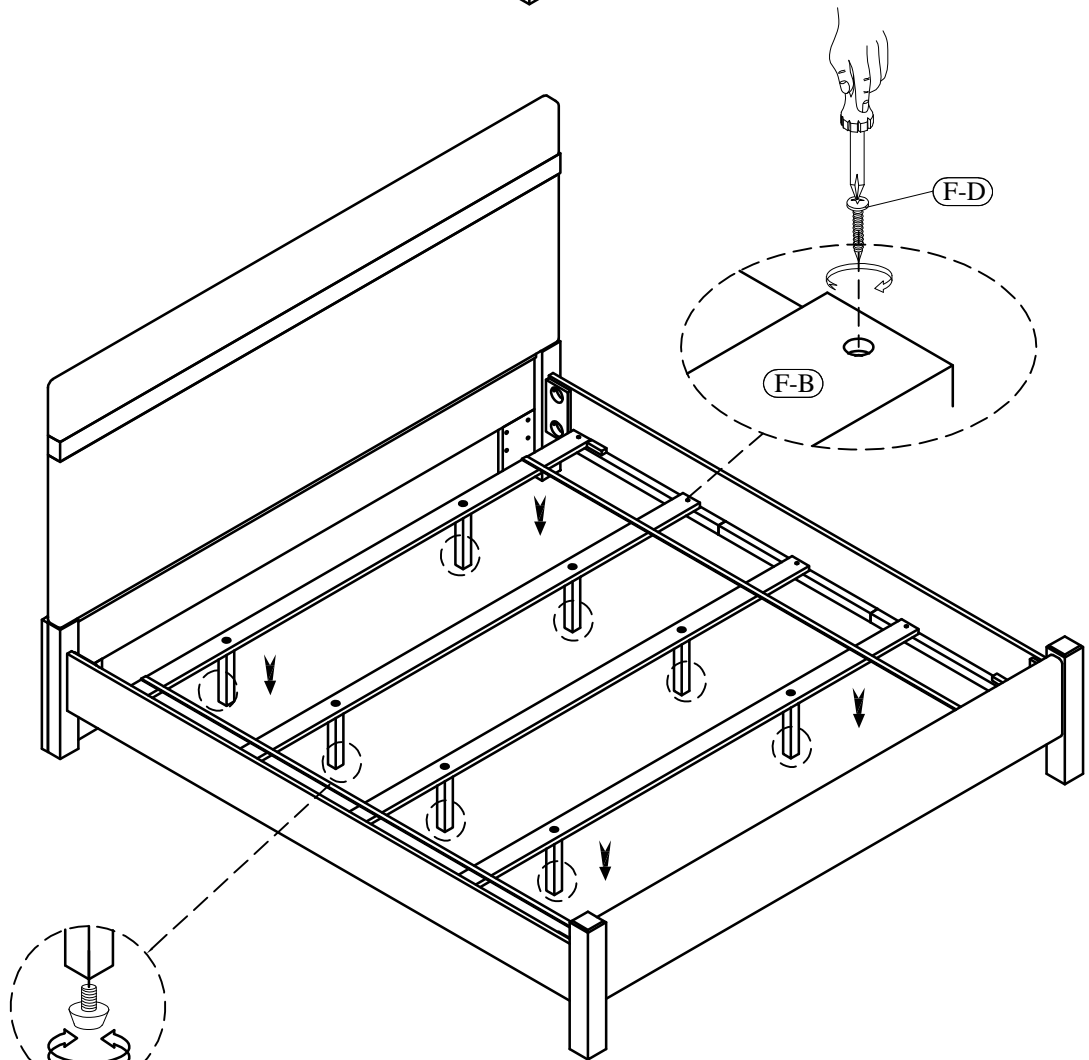
Step 2



Step 3



Step 4



Adjustable Leveler

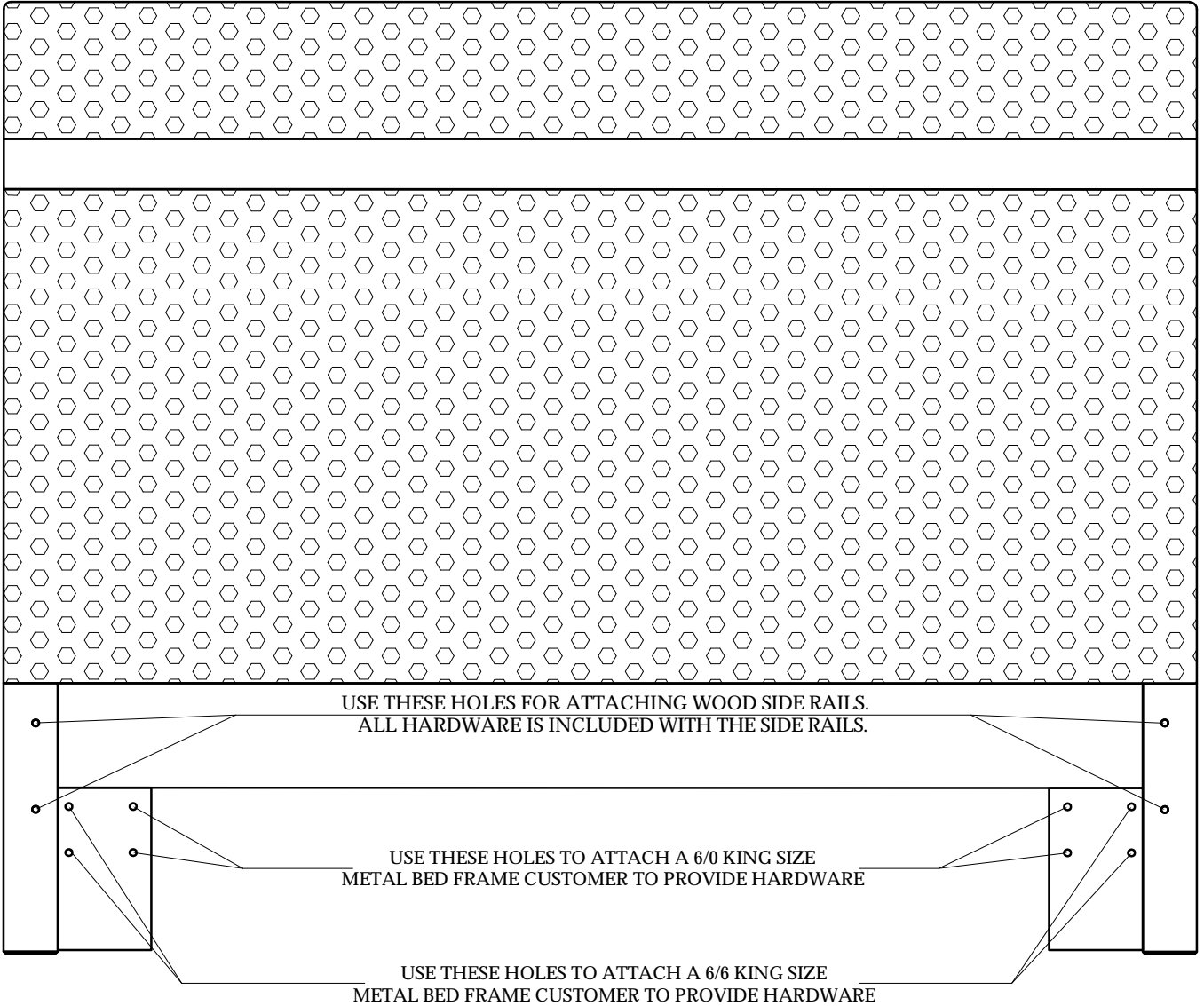
Riverside
FURNITURE

email: info@riverside-furniture.com

*Bozeman
Bedroom
Assembly Instructions*

Made in Viet Nam
6/0- 6/6 King Uph Bed

6/0- 6/6 King Uph Bed
50584 -- 6/6 Uph Headboard



The headboard may be used alone with a Eastern King or California King size metal bed frame.